

FORKLIFTS **SIMPLIFIED**

PMW20



SAFE



RELIABLE



PROVEN

- 24V AC Technology
- Rapid, Restriction-Free Charging
- No Battery Maintenance Required
- 8-Year or 10,000-Hour Battery Warranty

PALLET TRUCK FEATURES

STANDARD EQUIPMENT

Iron-Phosphate Battery Technology
Battery (24V • 130Ah)
Onboard Charger (24V • 30A)
AC Drive Motor

OPTIONAL EQUIPMENT

External Charger (24V • 50A)
Cold-Storage Version
Stabilizing Casters
Multiple Fork Lengths
Load Backrest

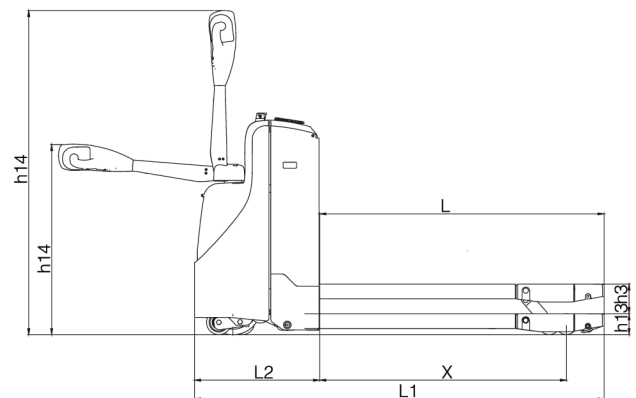
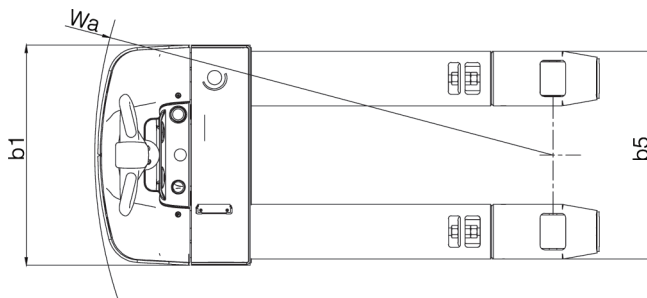


With rapid, restriction-free charging, BYD forklifts operate across multiple shifts without the need to change or replace batteries. Built using iron-phosphate technology, each forklift includes a state-of-the-art Battery Management System and the longest battery warranty in the industry. With BYD, peace of mind is assured.

PMW20 SPECIFICATIONS

Power			24 Volt
Capacity		lb	4400
Overall Length	l1	in	65
Head Length	l2	in	19.7
Overall Width	b1	in	28.6
Fork Dimensions		in	2.4 x 7 x 45.3
Fork Overall Width	b5	in	27
Turning Radius	Wa	in	59
Fork Height (Lowered)	h13	in	3.35
Fork Height (Raised)	h3	in	8
Control Handle Height, Min/Max	h14	in	31.8 / 51.4
Load Wheel Location (Lowered)			39
Load Wheel Location (Raised)		in	36.25
Drive Wheel		in	9 x 3
Load Wheels		in	3.34 x 4.33
Travel Speed (Full Load/No Load)		mph	3.7 / 3.7
Gradeability (Full Load/No Load)		%	8 / 20
Drive Control			AC
Battery Voltage/Capacity		v/ah	24 / 130
Service Weight		lb	1100

Note: BYD reserves the right to alter and modify the design, features, and technical parameters of its products at any given time and without prior notice, as products are subject to continuous development.



BYD Motors LLC

1800 S Figueroa St., Los Angeles, CA 90015

BYD Forklift production site is certified:

ISO 9001 ISO 14001 OHSAS 18001

1-800-293-2886

sales@byd-forklifts.com

www.byd-forklifts.com

BYD forklifts conform to
United States Safety Requirements
All BYD forklifts comply with ANSI B56.1