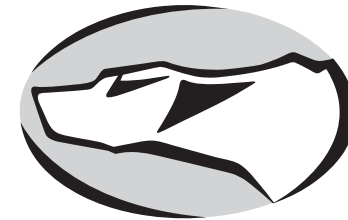


**FROM THE BUILDERS OF THE
WORLD'S FINEST E-COLLARS**

OWNER'S MANUAL



***dogtra* e-Fence System
eF-3000 GOLD**



Dogtra Company
22912 Lockness Avenue
Torrance, CA 90501 U.S.A.
Tel) 310.534.0101
Fax) 310.534.9111
Toll Free) 1.888.811.9111



- OVERVIEW 4
- MAIN FEATURES 5
- SAFETY FEATURES 6
- PACKAGE CONTENTS 6
- DESCRIPTION OF TRANSMITTER PARTS 7
- DESCRIPTION OF COLLAR PARTS 15
- CHARGING THE RECEIVER/COLLAR..... 22
- TESTING YOUR **dogtra eF-3000 GOLD**
PRIOR TO INSTALLATION 24
- INSTALLATION 26
- TROUBLESHOOTING 39
- MAINTENANCE 41
- OPTIONAL ACCESSORIES 42
- WARRANTY AND REPAIR 44
INFORMATION

OVERVIEW

The **dogtra eF-3000 GOLD** system gives you the ability to allow your dog the freedom he wants, within your specified boundaries. Dogtra's containment system contains your dog without the use of conventional fencing that can be chewed through, jumped over or dug under.

The width of the signal field can easily be adjusted at the wall-mount transmitter. The strength of the electrical stimulation can be adjusted on each separate receiver with the Intensity Selection Dial. In the "Stimulation Only" mode, your dog will receive stimulation only. In the "Pager+Stimulation" mode, your dog will receive a silent pager/vibration, followed by stimulation when he approaches the boundary area. Once your dog consistently avoids the signal boundary, the stainless steel contact points can be replaced with the plastic training probes. With the plastic training probes, your dog will be able to respond to the vibration warning without receiving any electrical stimulation. The plastic training probes will also prevent any skin irritation to your dog's neck, and can be worn for longer periods of time.

Accessories for the **dogtra eF-3000 GOLD** system such as additional wire, flags, lightning/surge protector, and the European 220-volt battery charger, are available by calling Dogtra Company at (888) 811-9111 (8:30am-4:00pm PST).

MAIN FEATURES

- Waterproof collar/receiver.
- Pager/vibration signal that warns the dog prior to electrical stimulation/correction.
- Wire continuity indicator shows that the fence is in operational condition.
- Intensity Rheostat Dial on each individual collar/receiver that offers levels (1-5) to match each dog's personality and temperament.
- Stimulation is discontinued after 8 seconds for safety purposes. The collar will be reactivated when the dog approaches the boundary again.
- Other Dogtra e-collars or other manufacturer's collars will not be intercepted within the **dogtra eF-3000 GOLD** system.
- Easy to add additional Collar/Receivers.
- 2-hour rapid charge Pet Containment System.
- System turns to sleep mode to save energy and power when your dog is playing safely within the eF-3000 GOLD boundary.
- Rechargeable receiver.
- Long-range signal (will work up to 40 acres).
- User-friendly controls.

SAFETY FEATURES

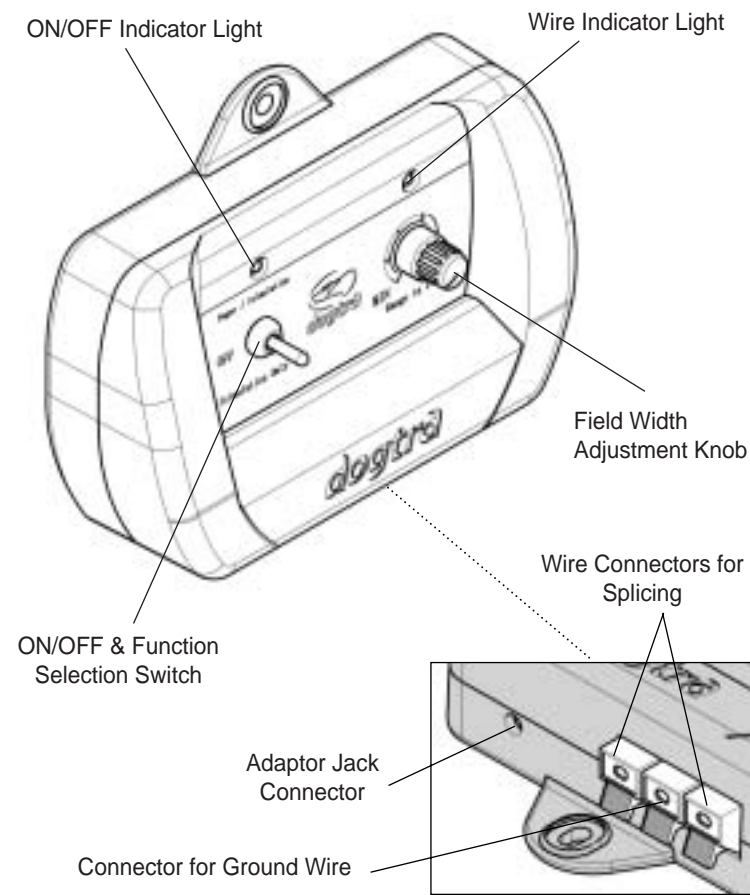
- Dogtra's eF-3000 GOLD system collars use state-of-the-art microcomputer technology. The receiver has an automatic control that limits the stimulus to eight seconds.
- Dogtra's filtering system prevents reception from outside sources other than your transmitter.

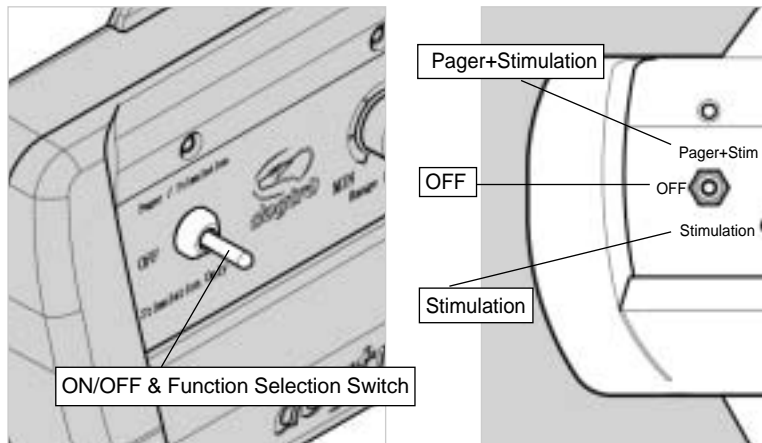
PACKAGE CONTENTS

- Wall-Mount Transmitter
- Collar/Receiver
- Transmitter Adaptor (25-volt 500mA)
- Receiver Adaptor (5-volt 1A)
- Test Lamp
- Boundary Training Flags (50 ea.)
- 18ga Underground Fence Wire (500 feet)
- Splices (4 ea.)
- Ground Wire (green)
- Transmitter Mount Screws (2 ea.)
- Plastic Anchor (2 ea.)
- Plastic Training Probes (2 ea.)
- Longer Contact Points (2 ea.)
- Owner's Manual
- Training Book

DESCRIPTION OF TRANSMITTER PARTS

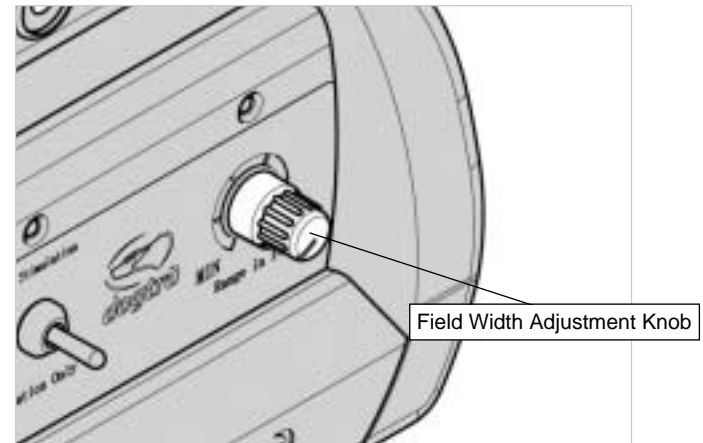
dogtra eF-3000 GOLD transmitter





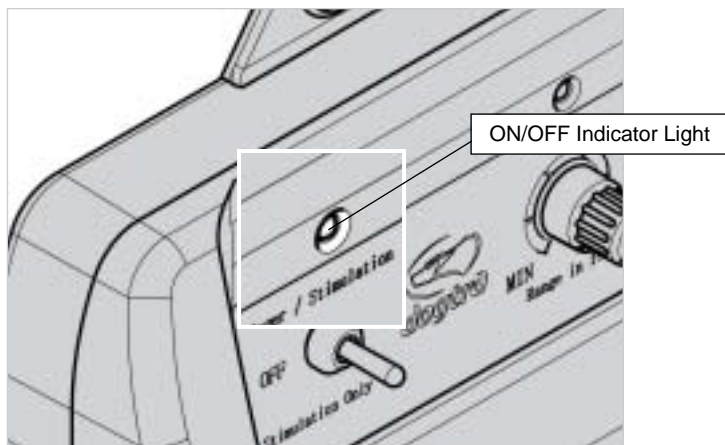
ON/OFF & Function Selection Switch

The ON/OFF Selection switch has three functions. When the toggle switch is in the up position, the unit will give the dog a pager/vibration followed by stimulation correction. When the toggle switch is in the down position, only stimulation occurs (without the pager warning). When the switch is in the middle position, the power is off.



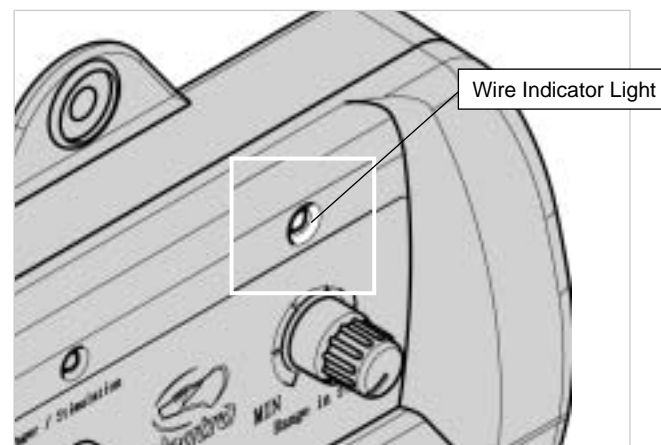
Field Width Adjustment Knob

This knob controls the width of the signal field (the distance from the boundary wire to the location where the collar/receiver first activates). Turning the knob clockwise increases the field width, giving your dog a wider area before the activation begins. Turning it counter-clockwise decreases the signal field, thus giving the dog a shorter area prior to activation.



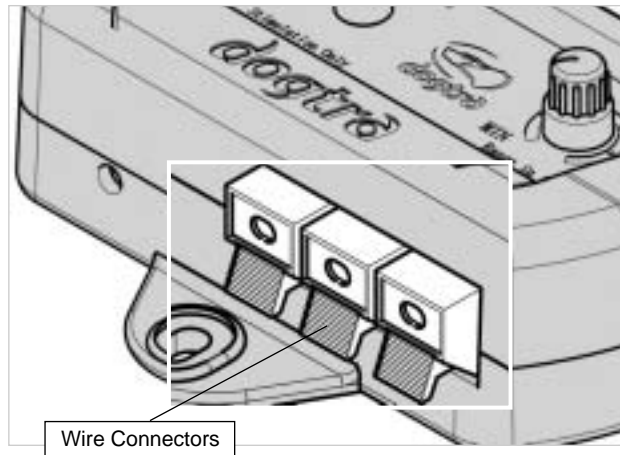
ON/OFF Indicator Light

When the ON/OFF & Function Selection switch is either in the up or down position, the LED light will be on, indicating that the power is on. When the switch is in the middle position, the light goes off, indicating that the power is off.



Wire Indicator Light

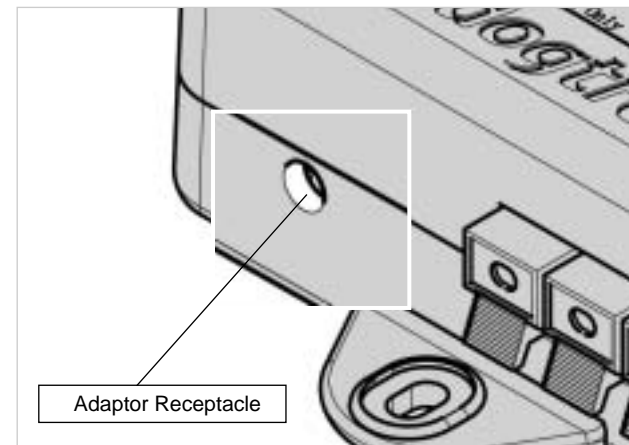
When the wires are connected properly, the wire indicator light will be on. In the event the eF-3000 GOLD wire becomes damaged, the light will automatically turn off.



Wire Connectors For Splicing

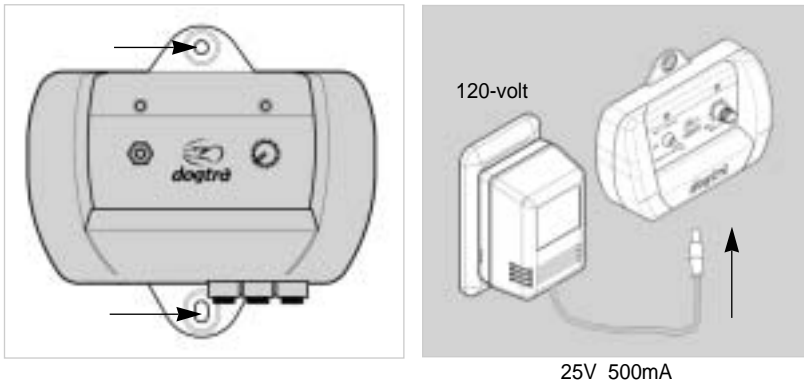
The easy-to-use push-release wire connectors let you instantly connect or disconnect the boundary wire leads. Wires should be stripped approximately a half-inch before being inserted into the red connectors on the bottom of the wall mount transmitter. The **dogtra eF-3000 GOLD** system comes with a ground wire to protect the unit in the event of lightning/power surge. Strip about a half-inch on each end of the ground wire and insert one end into the black connector on the bottom of the wall transmitter. The other end should be buried into the ground or wrapped around a water pipe and secured with electrical tape.

Option : A lightning/surge protector can be purchased if there are no grounding options near the wall transmitter.



Adaptor Receptacle

Plug the 120-volt adaptor into a 120-volt wall outlet and insert the adaptor plug into the adaptor receptacle of the transmitter.



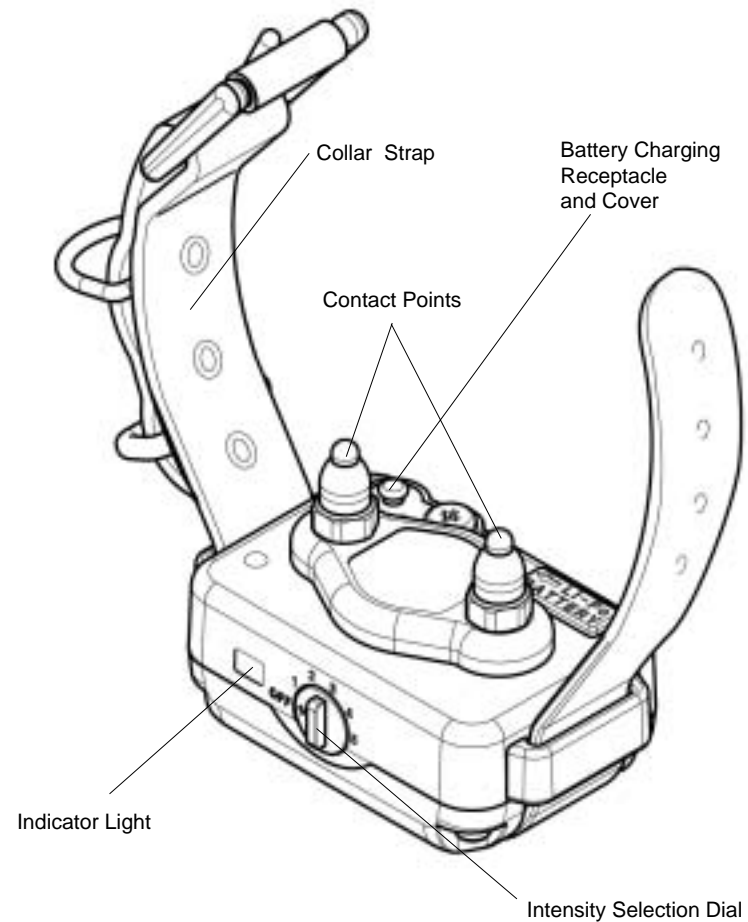
Wall-Mount Transmitter

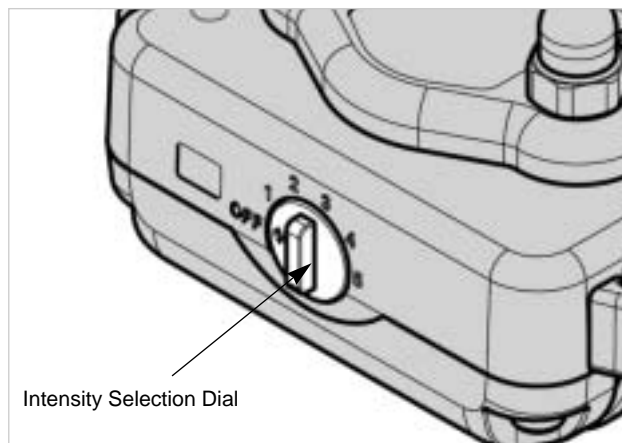
Use the (2) included screws to mount the transmitter to a wall, securely, near any standard 120-volt household outlet. The unit will withstand freezing temperatures, but it is not waterproof. Therefore, we recommend mounting the transmitter in a safe, dry sheltered area such as a shed, garage or carport. Plastic anchors have been provided to secure mounting onto drywall. Use a 1/4" drill bit to make holes into the drywall. Insert the anchors into the holes so that the open end faces out and mount the transmitter by inserting the screws into the open end of the anchors.

To power the wall transmitter, plug the AC adaptor into the standard 120-volt outlet and connect it to the adaptor receptacle of the transmitter.

DESCRIPTION OF COLLAR PARTS

dogtra eF-3000 GOLD Receiver





Intensity Selection Dial

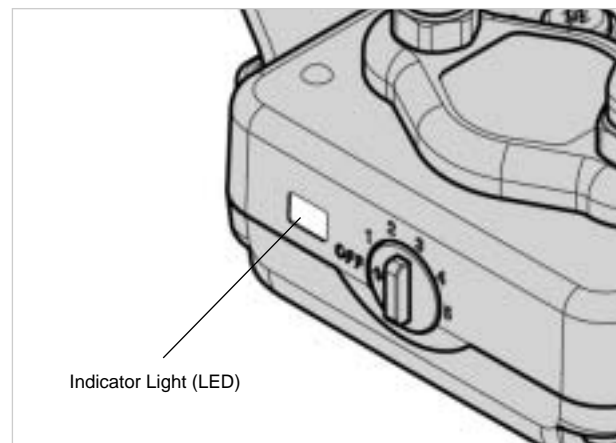
The **dogtra eF-3000 GOLD** stimulation selection level is adjustable on each individual dog's collar/receiver so that it is easy to accommodate to each dog's different personality and temperament.

Within the intensity selection dial, the stimulation levels range from level 1 being the lowest, and level 5 being the most intense.

In order to select the proper intensity level for each dog, we recommend that you begin at level 1, and continue to increase the level slowly until you are able to notice a reaction from your dog. This ensures that you select a level that is appropriate for your dog.

When you place the knob at the OFF position, the collar is completely shut off.

In order to maintain full use of the batteries in the collar, please turn off the collar/receiver when your eF-3000 Gold system is not being utilized.



Receiver Indicator Light (LED)

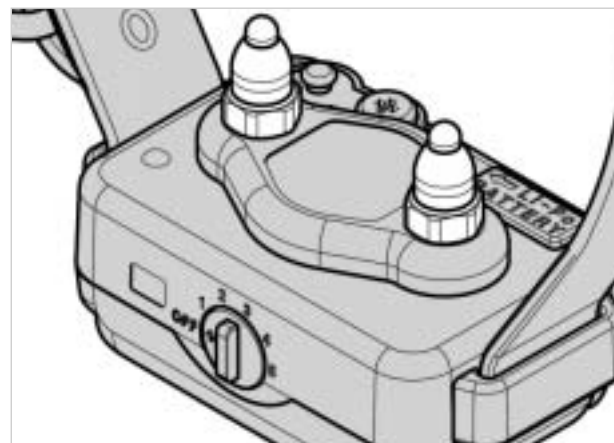
When first activating the eF-3000 Gold system, the LED light on the collar/receiver will illuminate for approximately 1 second to indicate that the power is on. 2 seconds after the initial light, a blink will occur every 2 seconds to indicate that the collar/receiver is functioning properly.

When the collar does not receive a signal from the transmitter for 10 seconds or more, the collar/receiver will go into sleep mode, and the LED light will stop blinking.

Before going into the sleep mode, the collar will blink every 2 seconds to indicate that the collar is working properly. The color of the blink that is emitted will change according to the level of battery that remains in the collar. A blinking green light indicates that the collar is fully charged, blinking amber light shows that it is at a medium charge, and a blinking red light shows that it needs to be charged.

Battery Power Status	Fully charged	Medium charge	Needs charge
LED window	Blinking GREEN light	Blinking AMBER light	Blinking RED light

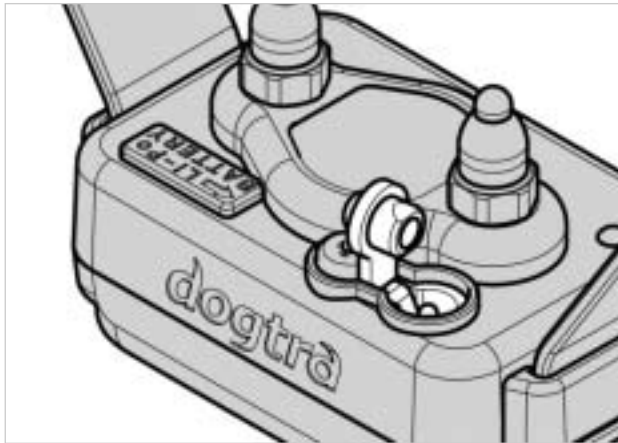
When your dog gets close to the wire boundary, the indicator light will blink steadily to indicate that a stimulation is being outputted depending on the stimulation selection that you have chosen on the wall-mount transmitter.



Collar Fit / Contact Points

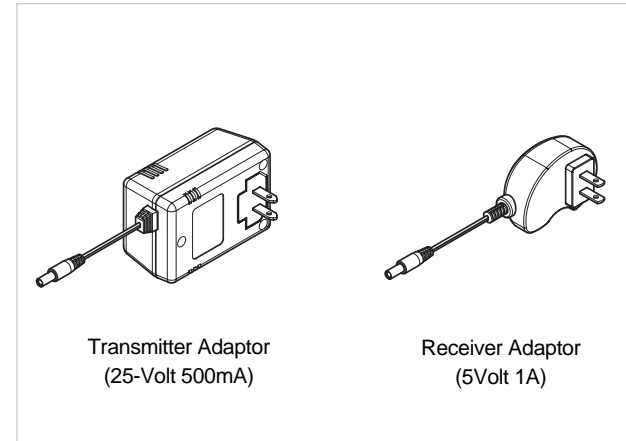
The collar should be fitted so that the stainless steel contact points press firmly against the dog’s skin. A loose fit will allow the collar to move around on the dog’s neck and cause irritation to the skin. If the collar is too loose, electrical contact will be inconsistent and your corrections will be inconsistent as well.

We recommend not keeping the eF-3000 GOLD collar on your dog for more than 8 hours at any given time.



Collar/Receiver Battery Charging Receptacle

On the inside of the collar/receiver, next to the collar strap, is the battery-charging receptacle with a rubber plug. The plug should always be in place when the unit is on the dog to prevent debris or water from getting in.



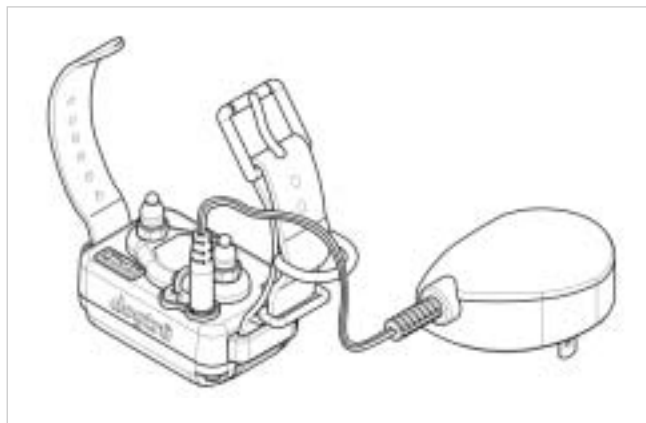
Transmitter Adaptor
(25-Volt 500mA)

Receiver Adaptor
(5Volt 1A)

Adaptor

The battery charger is designed for a 120-volt wall outlet. (An European 220-volt AC charger is also available.)

CHARGING THE RECEIVER/COLLAR



Charging The Receiver/Collar

dogtra uses the 2-hour rapid charge Lithium Polymer batteries that do not have a memory. They can be charged on a regular basis without harm. There is no need to completely drain the batteries between charges.

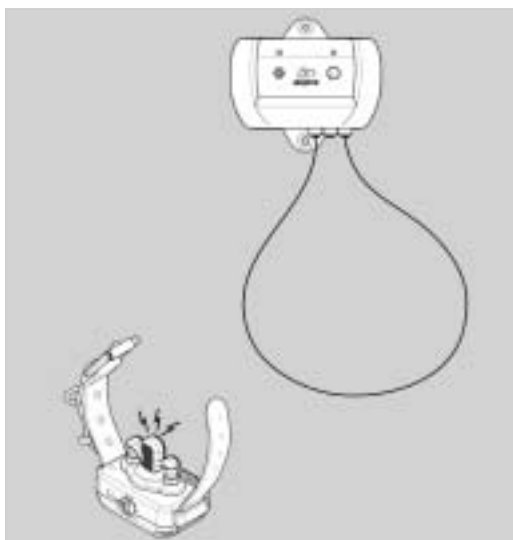
1. Plug the 120-volt adaptor into a 120-volt wall outlet and insert the adaptor plug into the battery-charging receptacle of the receiver.
2. Charge the batteries for 2 hours before using the collar for the first time and any other subsequent charges.

3. Do not charge the batteries near any flammable substances.
4. Fully charge the batteries for 2 hours if the collar is to be stored without use for a period of a month or more.
5. Recharge the battery if:
 - the indicator light on the collar is emitting a double red blink every two seconds
 - the indicator light on the receiver will not come on
 - the indicator light on the receiver comes on momentarily but will not stay on

LED Window Status	Being Charged	Fully Charged
LED Window	Red Light	Green Light

Dogtra recommends that you use only Dogtra approved chargers to prevent any possible harm to your eF-3000 GOLD system.

TESTING YOUR *dogtra* eF-3000 GOLD PRIOR TO INSTALLATION



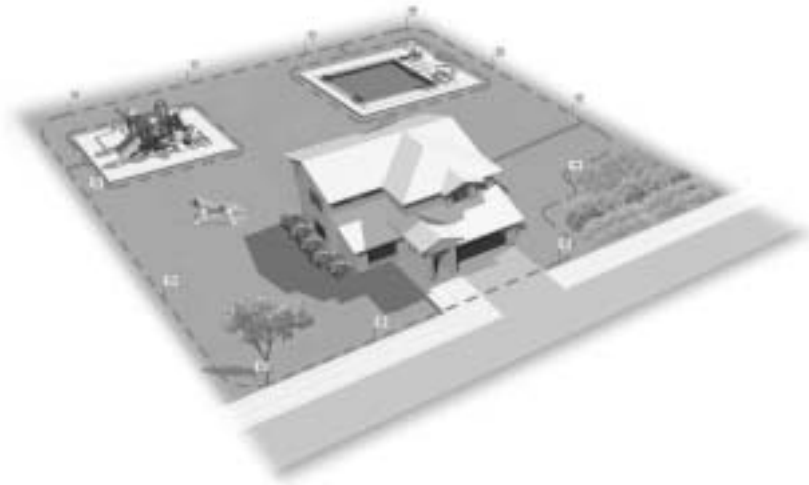
1. To ensure that your *dogtra* eF-3000 GOLD system is working properly, connect the transmitter adaptor into the adaptor of the transmitter and then plug the adaptor into a household outlet. Switch the stimulation knob to Pager+Stimulation, or Stimulation Only. The ON/OFF indicator light should turn on.
2. Unwind the length of ground wire that was provided and strip about 1/2 inch off each end.

Insert one end of the ground wire into the first wire connector jack and the other end into the third, leaving the center jack free. If the wires are connected properly, the wire indicator light will be on.

3. Next, activate the collar/receiver by turning the intensity level dial on the receiver to the desired level. The LED light will blink once every two seconds showing that it is on. If not activated for 10 seconds or more, the system will go into sleep mode.
4. Hold the receiver in your hand with the contact points facing up. Place the test lamp over the contact points and approach the test loop.
5. Watch for the test light to come on and/or the unit will emit the warning vibration if the unit is in this mode at the wall mount transmitter. Be careful not to touch the contact points as the unit will emit stimulation when activated.

INSTALLATION

Fence Wire



The fence wire must make a continuous loop around your property for your system to operate. The signal is delivered from the terminal of the transmitter, through the fence wire, back to the other terminal on the transmitter. When this is accomplished, the wire continuity light will emit a constant red indicator.

Wire Placement

CAUTION - Before you install your fence wire, contact the utility company to mark the utility lines on your property before you begin digging. **Be sure to test your wire layout above ground before permanent installation begins.**

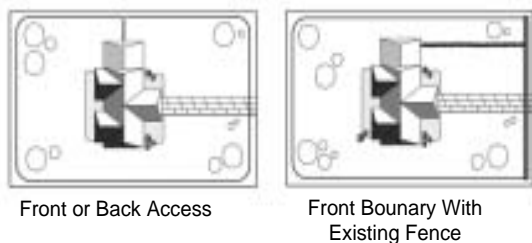
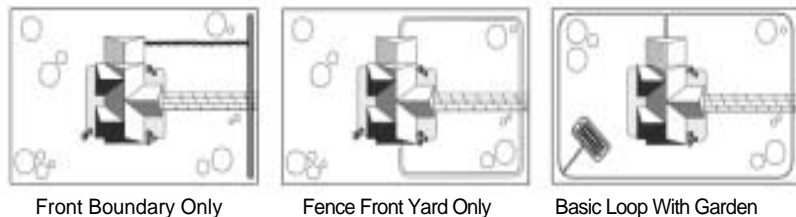
Carefully choose the areas in which you want to contain your dog. A diagram may be helpful in predicting unforeseen obstacles. (Please refer to the diagrams below.)

IMPORTANT!

When creating a Front Boundary Only, Fence Front Yard Only, or Front Boundary with Existing Fence type of containment system. **THE TWO PARALLEL eF-3000 GOLD WIRES MUST BE 6-10 FEET APART** to avoid any signal interference.

* Please note, the diagrams are not drawn to scale.

Single loop systems must keep 6-10 feet of distance between the wires as well.



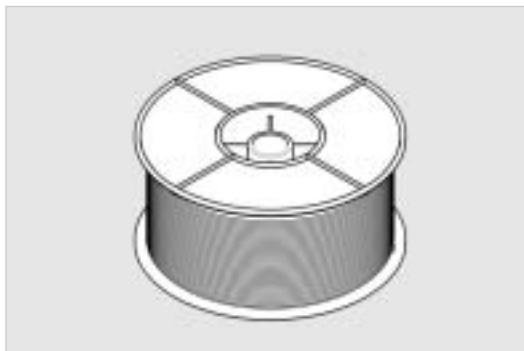
Keep wires-6ft. apart to avoid signal interference

The **dogtra eF-3000 GOLD** system includes 500 feet of boundary wire and 50 training flags. Additional flags and wiring can be purchased through the Dogtra Company. The estimated requirements are as follows:

Acres	Square Feet	Fence Wire(500ft./spool)		Flags(50/bundle)	
		Feet	# Spools	# Flags	# Bundles
1/4	10,890	450	1	45	1
1/3	14,520	520	1	52	1
1/2	21,780	620	2	62	2
3/4	32,670	740	2	74	2
1	43,560	850	2	85	2
2	87,120	1,200	3	120	3
3	130,680	1,500	3	150	3
4	174,240	1,700	4	170	4
5	217,800	1,900	4	190	4
6	261,360	2,100	5	210	5
7	304,920	2,250	5	225	5
8	348,480	2,400	5	240	5
9	392,040	2,550	6	255	6
10	435,600	2,700	6	270	6
11	479,160	2,800	6	280	6
12	522,720	2,950	6	295	6
13	566,280	3,050	7	305	7
14	609,840	3,170	7	317	7
15	653,400	3,280	7	328	7
16	696,960	3,400	7	340	7
17	740,520	3,500	7	350	7
18	784,080	3,600	8	360	8
19	827,640	3,700	8	370	8
20	871,200	3,800	8	380	8

*** For areas larger than 20 acres, please refer to our web site at www.dogtra.com or call us at 888-811-9111.**

ADDITIONAL PARTS



- 18 ga Underground Fence Wire (500 feet)



- Boundary Training Flags (50 ea)

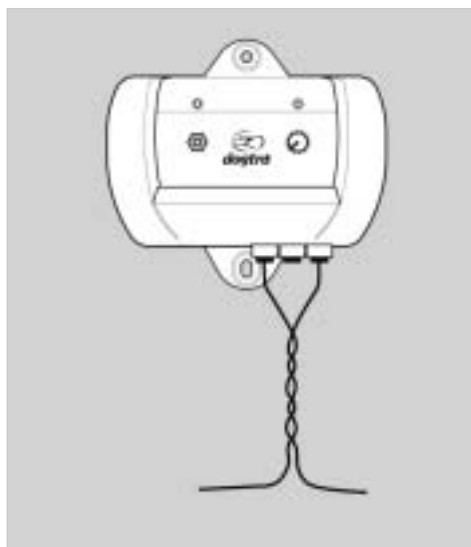
The figures on p.28 are indicated for a rectangular layout. Actual flag/wire requirements may vary depending on the layout you've chosen.

You will want to keep a signal field (area where the dog will receive stimulation) of at least 6-8 feet on each side of the wire.

In addition, your dog will keep 2-4 feet away from the signal field, so an overall signal field of 8-12 feet is preferred. Avoid making passageways that are too narrow (i.e. along the sides on a house) or your dog may hesitate from using them.

Tools

To install your **dogtra eF-3000 GOLD**, you will need a flat-edge spade, Phillips screwdriver and a wire cutter/stripper. If your layout calls for the wires to be connected across concrete, you will also need a caulking gun, exterior silicon caulk and a circular saw with a masonry blade for cutting the pavement.



Creating a Neutral Zone in the Boundary

Depending on your layout, you may want a neutral zone where your dog can cross over the dogtra eF-3000 GOLD without getting stimulation. Should your layout need such an area, start by twisting the two pieces of fence wire so they are braided (see diagram), from the beginning of the neutral zone area to the end. Braiding the two wires will interrupt the signal of the buried fence, thus creating an area for your dog to cross without getting stimulation.

To braid the fence wire, hold the two wires side by side, and twist them around each other. This can also be done by securing the two wire ends in the opening of a drill and letting the drill twist the wires for you. The tighter the wires are twisted, the better the signal cancellation. A braid of approximately 16 twists per foot is recommended.

Burying The Fence Wire

IMPORTANT : Before starting any digging, contact your local phone, gas and power companies to locate any other buried services. The **dogtra eF-3000 GOLD** boundary wire does not have to be buried to operate. For protective measures we highly recommend the wire be buried about 3-4 inches underground. Begin by digging a 4-inch deep cut where the wire first enters the ground near the transmitter and continue around the path of the loop wire. A 30- to 45-degree angle cut made with a flat-edge spade will be easiest to close. Try to keep the 2 wires from touching as much as possible as this will enhance your signal.

Note : When covering a large area, a trenching machine may be used to cut into the ground. However, it is recommended that the wire be placed in the trench by hand. A commercial wire-placing machine may damage the wire.

IMPORTANT! Bury the fence wire after you have tested the system and are sure it is working properly. Do not nick or scrape the fence wire during installation as it may result in an intermittent signal or no signal.

Make gradual turns at the corners with a radius of at least 3 feet. This will provide a more consistent signal field that will avoid confusing the dog in these areas.

IMPORTANT!

DO NOT run fence wire within 6 feet parallel to electrical, telephone, cable TV or other buried wire.

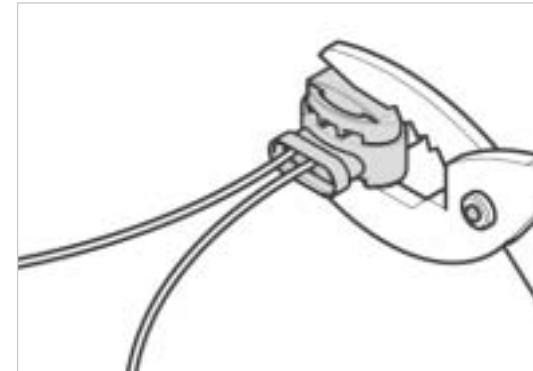
DO NOT run fence wire of one section within 10 feet of another section of fence wire or the signal may cancel.

DO NOT run the fence within 10 feet of a neighboring eF-3000 GOLD system's boundary wire.

Driveways/Sidewalks

When crossing an asphalt driveway, make a 1/2-inch deep cut across the driveway using a circular saw and masonry blade. Close the crack with asphalt sealant after the fence wire is placed in it. If an expansion joint is available on driveway and sidewalks, place fence wire in the joint and close it with outdoor caulk. When crossing gravel, bury fence wire at least 3 inches deep. PVC pipes or a garden hose can be used to protect the wire. In water, anchor the wire with large rocks. Use PVC piping or garden hose to protect the wire.

WIRE SPLICING



The wire connection must be waterproof

Do not use electrical tape, or soldered/twisted wire nuts in this type of connection as it will cause an intermittent signal or disarm the system. The waterproof splices included in the dogtra eF-3000 GOLD system are designed to provide a sealed connection between the wires. The insulation on the boundary wire should not be stripped before placing wire into the holes. To use the waterproof splices, a single boundary wire is placed into one of the three holes of the splices. The other single boundary wire is placed into one of the other holes. This should leave one extra hole that is not used. A pair of pliers should be used to gently press down on the top of the blue part of the splice.

Connecting the Fence Wire to the Transmitter

Splice the two ends of the twisted wire to each of the two ends of the fence wire.

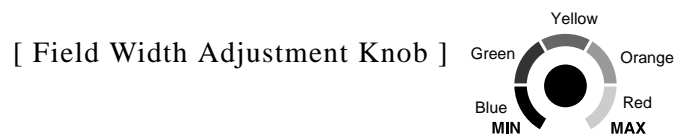
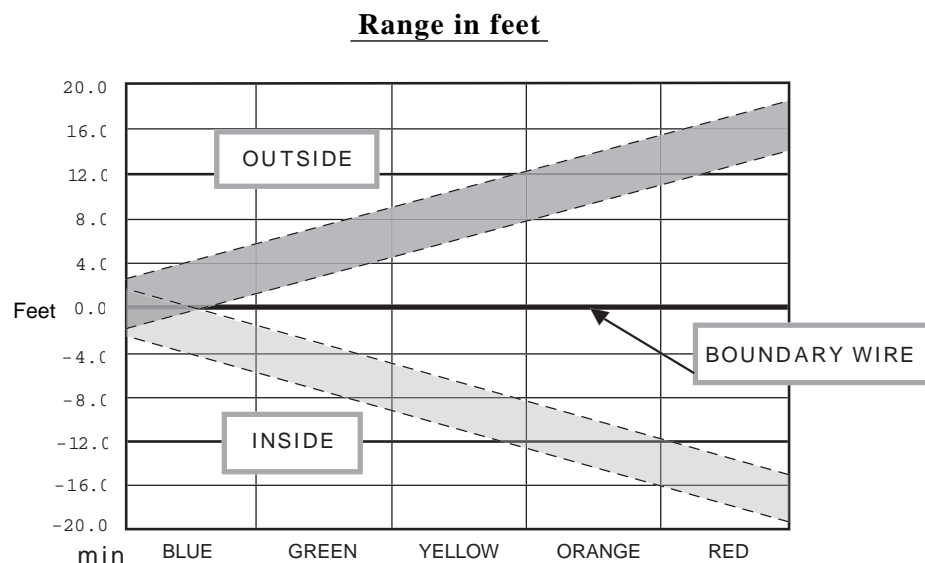
Drill a hole through the exterior wall or window/door sill or run the fence wire through an existing utility line hole. Connect the twisted fence wire to the transmitter, either wire to either terminal (wire ends must be stripped 1/2 -inch). A red indicator light should appear indicating a continuous fence wire field. If no light appears, check to make sure that all fence wires are properly connected and that the wire is not damaged.

The Signal Field

The Field Width Adjustment Knob on the transmitter controls the signal field width. Increasing or decreasing the signal field width does not affect the stimulation intensity. To test the signal field, walk slowly toward the boundary wire holding the collar/receiver at approximately the height of the dog's neck. Contact points must be upward with the test light attached. Watch for the test lamp to illuminate, this will give you an idea of the width of the signal field. The wider the signal field is, the less chance that the dog will run through the field and out of your yard. The signal field should extend at least 6 feet on both sides of the wire (creating a field that is 12-feet wide total). An 8-12 foot field is preferred. This will maximize the effectiveness of the containment system and minimize the chances that the dog will run through the signal field.

Note : If you alter the field adjustment knob by turning it clockwise or counterclockwise, or by removing it, you must check the signal field for the desired setting.

When you are satisfied with the field width setting, bury the fence wire below the grass and place the flags at the distance where the test light comes on.



TROUBLESHOOTING

A. Dog Doesn't Respond to Stimulus

- Adjust the collar fit.
- Trim the dog's hair or use longer contact points to make better skin contact.
- Recharge the battery in the collar receiver.
- Adjust the correction level.

B. System Test Procedures:

Whenever you experience a malfunction, you will need to do a test loop to determine which component - collar, wall transmitter or yard wire - is not working. Follow these steps to perform the test loop procedure.

1. Make a test fence using at least 10 feet of fencing wire (or use the ground wire).
2. Remove the existing boundary wire from your wall transmitter.
3. Insert the two ends of the test fence wire into the wall transmitter.
4. Turn the field width adjustment knob to the 9 o'clock position or a low setting.

5. Place the test light on the collar receiver. With the collar receiver, approach the test loop and note the distance between you and the wire when the collar activates the test lamp.
6. Turn the field width adjustment knob to the 12 o'clock position or a medium setting.
7. Back away from the wire and approach it again. Determine the distance between you and the wire when the collar activates. The distance should be greater on the medium range setting.

If more than one collar receiver is used, repeat the above test on each collar.

If there is no red light on the wire indicator light of the wall transmitter with the test loop wire in place, the wall transmitter is malfunctioning.

If the red light is solid on the wall transmitter, but the collar does not activate on the test loop wire, the collar/receiver is not working. Recharge the battery in the collar/receiver and repeat the test.

General Maintenance Tips

Your system requires very little maintenance. The collar/receiver for **dogtra eF-3000 GOLD** system is waterproof and activates even after being immersed in water. To remove dirt, simply wipe with soap and water.

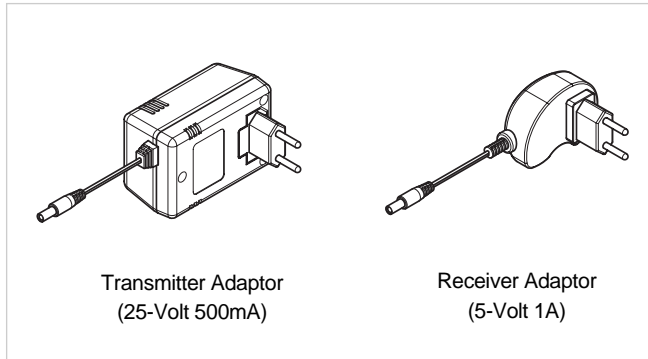
The wall transmitter is not waterproof and must be protected from the elements in a shed, garage or carport.

Do not attempt to dismantle or repair any of the system components : this will void the manufacturer's warranty. These components contain computerized circuitry that should be serviced only by an authorized expert.

Caution

Any changes or modifications of this device which are not specifically approved by the party responsible for compliance could void the user's authority to operate the equipment.

OPTIONAL ACCESSORIES

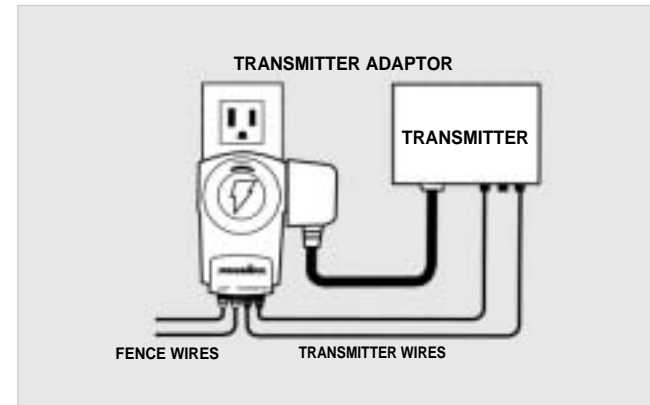


- European Adaptor for 220-volt outlets



- Lightning/Surge Protector (PANAMAX)

Quick Connection Tips



STEP 1 Plug the lighting protector into a grounded (3-wire) 120V AC outlet within five feet of where you want to locate the transmitter



STEP 2 Cut the fence wires near the protector and strip all four ends back 1/4 inch



STEP 3 Push the connector tab firmly away from yourself. The connector jaws will open. Push the stripped end of the wire into the connector. Repeat with the other three wires.

WARRANTY AND REPAIR INFORMATION

Dogtra Company provides the original purchaser a two-year limited warranty on parts and labor from the date of the original purchase. The warranty is void if the unit has been altered or unauthorized repair work has been attempted. Batteries or the labor to replace them are not covered after one year from the original purchase date. A copy of the sales receipt showing the purchase date is required before warranty work is started.

Dogtra's warranty does not cover repairs due to misuse or improper maintenance.

Return shipping for warranty work is the owner's responsibility. Costs for shipping (via regular ground service) back to the customer is covered by Dogtra Co. within the continental United States. Any expedited shipping service will be at the owner's expense.

Repairs

If you have a unit that requires repair work, please send the transmitter, receiver and charger to:

Dogtra Co.
Repairs Dept.
22912 Lockness Avenue
Torrance, CA 90501

* Include a note with your name, return address, daytime contact number and a brief description of the problem. Or, visit our website at www.dogtra.com and print out our **Service Request Form** to send with your unit.

For repair work covered under warranty, proof of purchase date is required by providing a copy of the original receipt or shipping invoice.

For more information contact Dogtra at :
1-888-811-9111 or e-mail us at
info@dogtra.com

Copyright©2007 **Dogtra Company** All Right Reserved
22912 Lockness Avenue Torrance, CA 90501
TEL. (310)522-1800 FAX. (310)522-1805

MEMO

MEMO

MEMO

MEMO

MEMO
