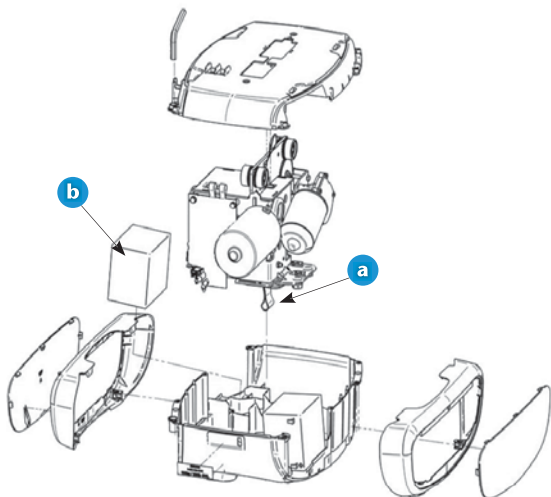
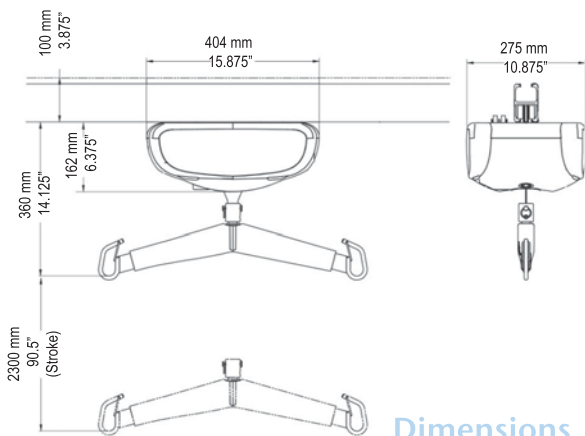


# Fixed Ceiling Lift Voyager Duo



**Exploded View**

## Common Spare Parts

- |          |                |         |
|----------|----------------|---------|
| <b>a</b> | 362.14000      | Strap   |
| <b>b</b> | 403.10500 (x2) | Battery |