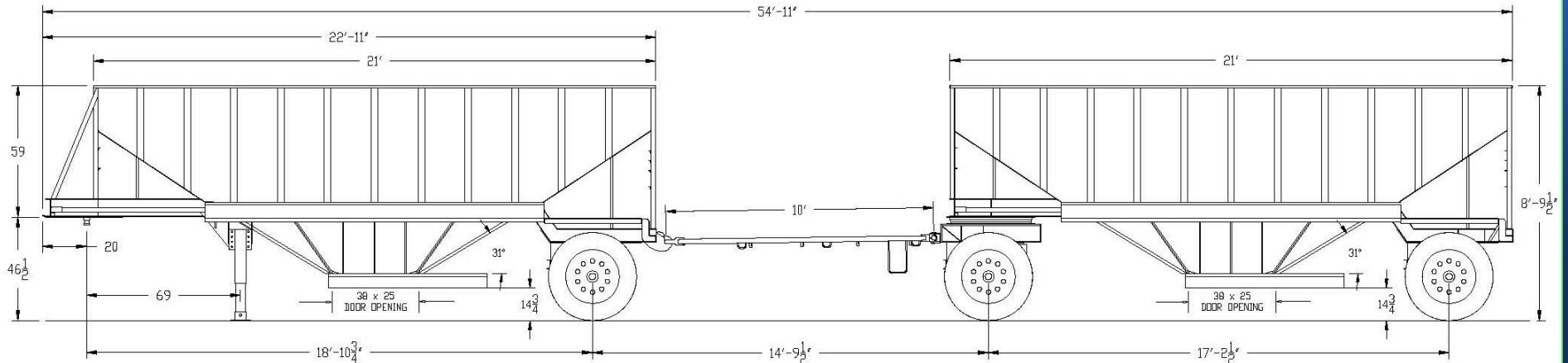




## 500 Series Specification Sheet

- > Width = 96 in, Length = 21 ft
- > Level capacity = 715 ft<sup>3</sup> or 575 bushels
- > Weight = 12,700 lb (5350 lb front + 7350 lb rear)



### Standard Features

- Standard hopper
- Steel frame with aluminum siding
- LED lighting
- Shur-Co® tarps
- Spring ride suspension
- Steel wheels

### Options

- Custom tongue length
- Air ride suspension with scales
- Aluminum wheels
- Shur-Co ProTrap® automatic trap opener
- Shur-Co® SL4500 automatic tarp opener



*Family owned and operated*  
*Made in Jewell, Kansas, USA 785-428-3030*  
[www.bourbontrailers.com](http://www.bourbontrailers.com), [info@bourbontrailers.com](mailto:info@bourbontrailers.com)