

CL Series

Commercial Locks



CL SERIES COMMERCIAL GRADE 2 INTERCONNECTED LOCK

SUGGESTED ARCHITECTURAL SPECIFICATIONS

Lockset will be CL Series from PDQ Industries, Inc., Leola, Pennsylvania. Lock shall be interconnected with interior plate mechanism allowing emergency egress. Top lock shall be deadbolt, with bottom lock having

cylindrical mechanism. Lockset shall be U.L. Listed and meet the requirements of ANSI A156.2, Series 4000, Grade 2.

SPECIFICATIONS – CL Series

FOR DOORS:	1-3/8" to 1-3/4" thick
PREPARATION:	4" Center to center dimension
BACKSET:	Latchbolt 2-3/4" standard 2-3/8" optional Adjustable Deadbolt 2-3/4" standard (UL) / 2-3/4" 2-3/8" Adjustable (not U.L. Listed)
CHASSIS:	Cold-rolled steel mechanism Dichromated for corrosion resistance
FRONT:	2-1/4" x 1-1/8" or 2-1/4" x 1" / Beveled 1/8" on 2" Stainless Steel or Wrought Brass
STRIKE:	T-Strike standard / ASA or Full-Lip optional Stainless Steel or Wrought Brass
LATCHBOLT:	1/2" Throw
DEADBOLT:	1" Throw / Brass Bolt containing one concealed 1/4" case-hardened Steel Roll Pin
HAND:	Non-handed - IC Handed
TRIM:	Zinc diecast PHL Levers / Stainless Steel or Wrought Brass Knobs, Escutcheons and Roses
KEYS:	Two (2) per cylinder
KEYWAYS:	SCC
INTERCHANGEABLE CORE:	6-pin or 7-pin / Compatible with Best, Falcon and Arrow
CYLINDER:	6-pin Brass Insert Cylinder keyed to 5-pins
KEYING:	Options: MK, CMK or GMK / Zero Bitted (KO), Keyed Different (KD) or Keyed Alike (KA) / Can be keyed into existing master key systems
FINISHES:	605 (US3) / PHL - 626 (US26D) / CQ - 630 (US32D)
CERTIFICATIONS:	U.L., U.L.C. Listed for "A" Label (3 hour) single swing doors (4' x 8') / PHL meets all applicable accessibility requirements of the Americans with Disabilities Act (ADA)
WARRANTY:	Two (2) year Limited Warranty

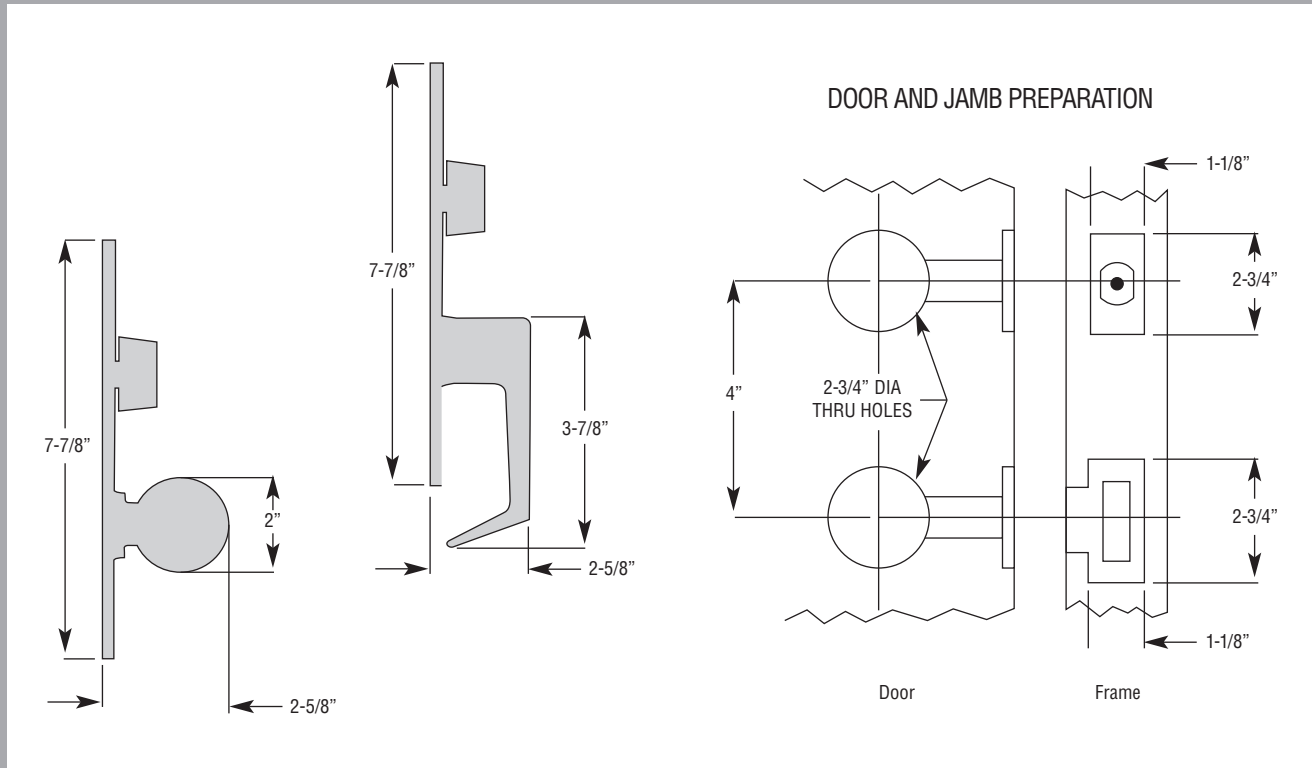
CL SERIES CQ



CL SERIES PHL



CL SERIES COMMERCIAL GRADE 2 DIMENSIONS

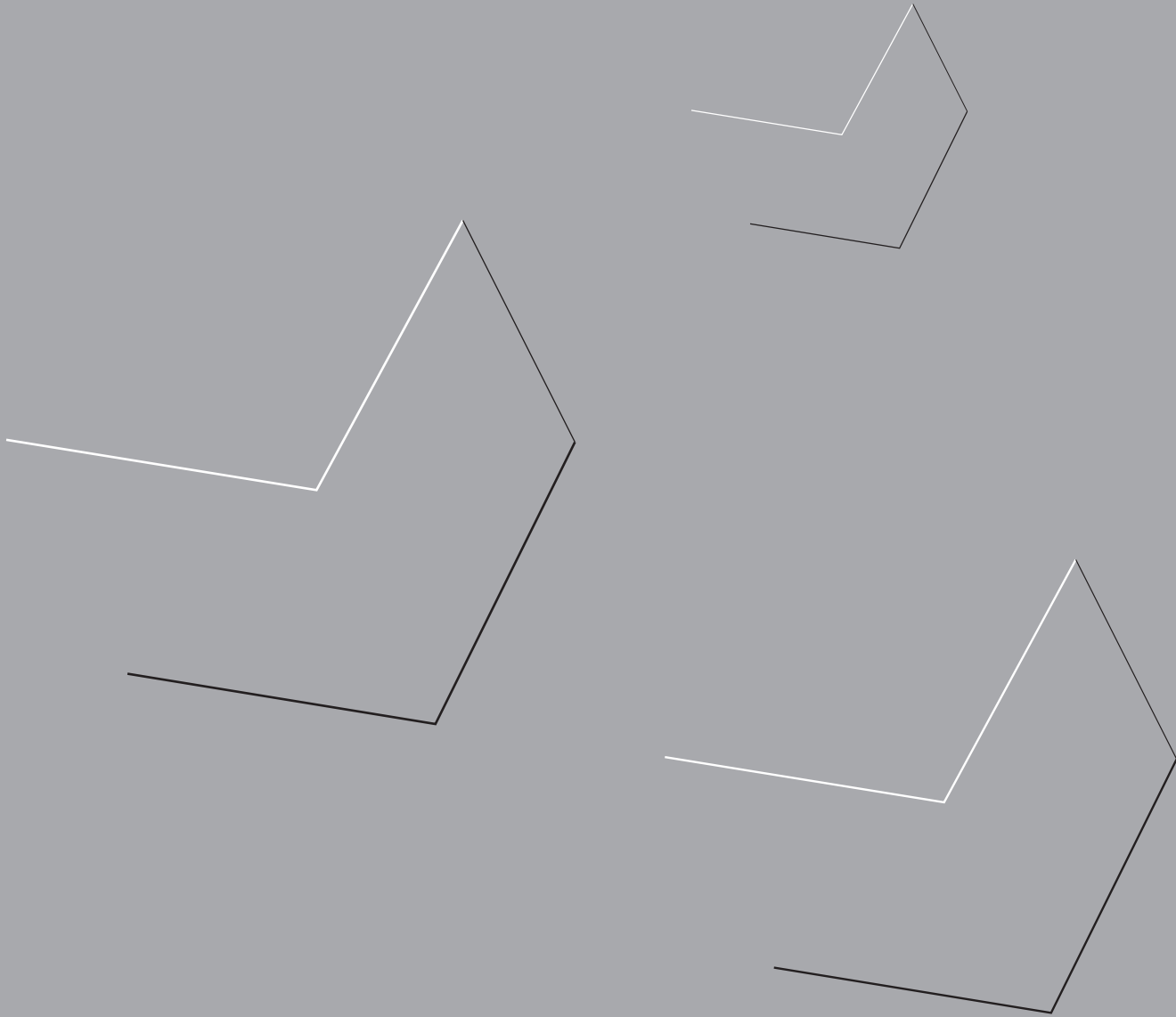


CL SERIES COMMERCIAL GRADE 2 FUNCTION CHART

FUNCTION	FUNCTION NO.	INSIDE	OUTSIDE	FUNCTION DESCRIPTION	ANSI NO.
Storeroom Single Locking	CL 126			<ul style="list-style-type: none"> • Outside and Inside knob/lever always free • 1" deadbolt projected or retracted by key outside or turnpiece inside • When deadbolt is projected, turning inside knob/lever retracts deadbolt and latchbolt simultaneously 	—
Entry Double Locking	CL 116			<ul style="list-style-type: none"> • Outside knob/lever locked by turn button in inside knob/lever • Inside knob/lever always free • Unlocking of outside knob/lever requires use of key or manual return of inside turn button • 1" deadbolt is activated by key in outside deadlock or turnpiece inside • Turning inside knob/lever retracts deadbolt and latchbolt simultaneously 	—

HOW TO ORDER

QUANTITY	SERIES	FUNCTION	TRIM	FINISH	BACKSET	STRIKE	KEYWAY	KEYING
10	CL	116	PHL	626	234	T	SCC	KD



PO Box 507 2754 Creek Hill Road Leola PA 17540

800 441 9692

717 656 4281

717 656 6892 Fax

www.pdqlocks.com

PDQ'S CL Series Brochures are now printed entirely on Forest Stewardship Council certified paper. FSC Certification ensures that the paper used in this catalog contains fiber from well-managed and responsibly harvested forests that meet strict environmental and socioeconomic standards. We're proud to be one of the first hardware manufacturers in the country to make this significant move to help our environment. The FSC logo on our brochure signals not only FSC Certification, but also PDQ's commitment to improving the environment.

